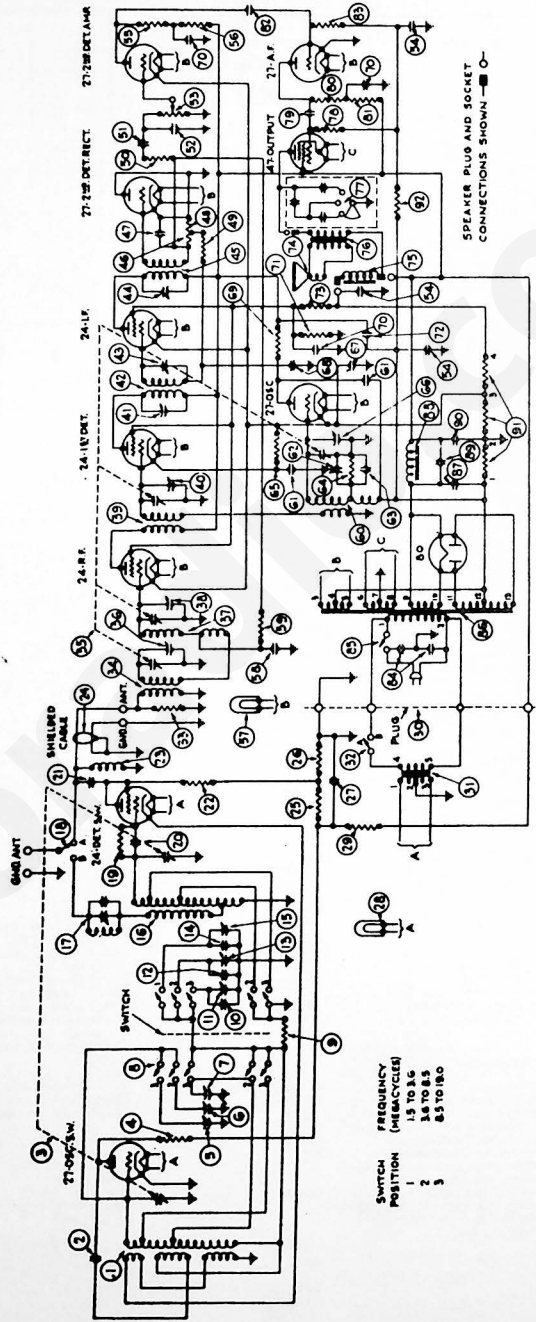
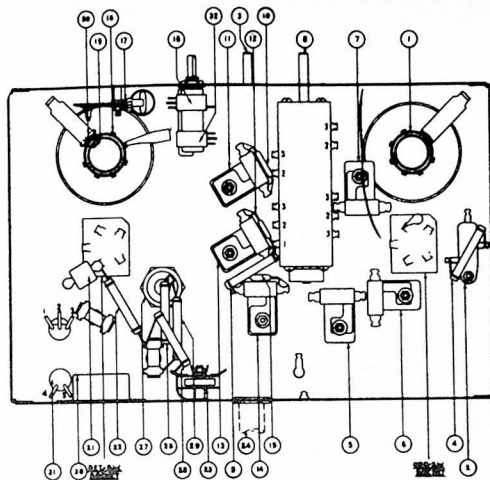


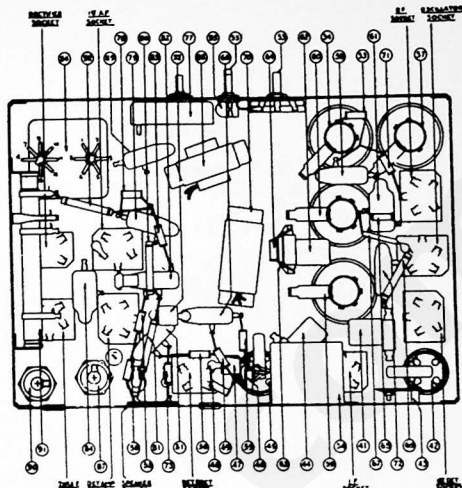
MODEL 490



MODEL 490



Short Wave Chassis.



Broadcast Chassis.

REPLACEMENT PARTS MODEL 490

No. on Figs. 1 and 2	Description	Part No.
①	Oscillator Coil*	03734
②	By-pass Condenser (.05 mfd.)	3615-M
③	Gang Condenser Assembly	03692
④	Resistor (13,000 ohms)	3768
⑤	Compensating Condenser (19 MC end of Top Scale)	04000-E
⑥	Compensating Condenser (8.5 MC End of Center Scale)	04000-E
⑦	Compensating Condenser (3.6 MC End of Bottom Scale)	04000-E
⑧	Frequency Control Switch	03751
⑨	Resistor (240,000 ohms)	3768
⑩	Condenser (1,250 mmf.)**	5886
⑪	Compensating Condenser (8.5 MC End of Top Scale)*	04000-F
⑫	Condenser (800 mmf.)	5878
⑬	Compensating Condenser (3.6 MC End of Center Scale)	04000-F
⑭	Condenser (250 mmf.)	3082
⑮	Compensating Condenser (1.5 MC End of Bottom Scale)	04000-F
⑯	Detector Transformer*	03734
⑰	Frequency Filter	03662
⑱	Antenna Switch Assembled with ⑳	5796
㉑	Resistor (2 megohms) Assembled with ⑳	03879
㉒	Condenser (110 mmf.) Assembled with ㉑	03879
㉓	Condenser (250 mmf.)	3082
㉔	Resistor (99,000 ohms)	3767
㉕	R. F. Choke	03893
㉖	Shielded Cabt.	L-1278
㉗	Resistor (32,000 ohms)	3525
㉘	Resistor (32,000 ohms)	3525
㉙	Electrolytic Condenser (6 mfd.)	4916
㉚	Pilot Light (Short Wave Unit)	3463
㉛	Resistor (5,000 ohms)	3536
㉜	Plug	08012
㉝	Filament Transformer (50-60 cycles) (25-40 cycles) (80-90 cycles, 280 volts)	5906 5923
㉞	On-off Switch (Assembled with ㉞)	5924
㉟	Resistor (10,000 ohms)	3796
㊱	First R. F. Transformer	4412
㊲	Gang Condenser Assembly (50-60 cycles)	03360
㊳	Gang Condenser Assembly (25-40 cycles)	03001
㊴	Compensating Condenser—First R. F.—Part of Gang Condenser Assembly	03078
㊵	Second R. F. Transformer	03014
㊶	Compensating Condenser—Second R. F.—Part of Gang Condenser Assembly	03015
㊷	First Detector Transformer	03015
㊸	Compensating Condenser—First Detector—Part of Gang Condenser Assembly	03015
㊹	Compensating Condenser—First I. F. Primary	04000-J
㊺	First I. F. Transformer	03009
㊻	Compensating Condenser—First I. F. Secondary	04000-J
㊼	Compensating Condenser—Second I. F. Primary	04000-L
㊽	Second I. F. Transformer	03346
㊾	Resistor (51,000 ohms)	4818
㊿	Condenser (110 mmf.)	4819
①	Resistor (51,000 ohms)	4818
②	Resistor (490,000 ohms)	4517
③	Resistor (50,000 ohms)	4411
④	Condenser (.01 mfd.)	3903-R
⑤	Condenser (250 mmf.)	3082
⑥	Volume Control	5366
⑦	By-pass Condenser (3—25 mfd.)	03325

*Includes matched oscillator coil and detector transformer.
**These parts replaced on later production by .0018 mfd. condenser parts only.

No. on Figs. 1 and 2	Description	Part No.
⑧	Resistor (51,000 ohms)	4518
⑨	Resistor (70,000 ohms)	5385
⑩	Pilot Light (Broadcast Unit)	3463
⑪	Condenser (.05 mfd.)	3615-W
⑫	Resistor (400,000 ohms)	4517
⑬	Oscillator Coil	03016
⑭	Condenser (.09 mfd.)	4989-G
⑮	Compensating Condenser—Low Frequency	04000-B
⑯	Condenser (700 mmf.)	4520
⑰	Resistor (51,000 ohms)	4518
⑱	Resistor (5,000 ohms)	5310
⑲	Compensating Condenser—High Frequency—Part of Gang Condenser Assembly	
㉑	Condenser (110 mmf.)	4519
㉒	Condenser (.05 mfd.)	3615-U
㉓	Resistor (51,000 ohms)	4518
㉔	By-pass Condenser (1., 25., 1) 50-60 cycles	03327
㉕	By-pass Condenser (1., 25., 25) 25-40 cycles	03624
㉖	Resistor (70,000 ohms)	5385
㉗	Condenser (.05 mfd.)	3615-E
㉘	Resistor (25,000 ohms)	4516
㉙	Voice Coil and Cone Assembly	02996
㉚	Speaker Field (Assembly with Pot)	02996
㉛	Output Transformer	2673
㉜	Tone Control	03137
㉝	Resistor (240,000 ohms) 50-60 cycles	4410
㉞	Resistor (99,000 ohms) 25-40 cycles	4411
㉟	Condenser (.01 mfd.)	3903-P
①	Resistor (25,000 ohms)	3656
②	Resistor (25,000 ohms) 50-60 cycles	3656
③	Resistor (50,000 ohms) 25-40 cycles	4237
④	Condenser (.01 mfd.)	3903-M
⑤	Resistor (240,000 ohms)	4410
⑥	Condenser (.015 mfd. Double)	3793-E
⑦	On-off Switch	4095
⑧	Power Transformer (50-60 cycles)	5302
⑨	Power Transformer (25-40 cycles)	5303
⑩	Power Transformer (50-60 cycles, 230 volts)	5364
⑪	Electrolytic Condenser (6 mfd.) 50-60 cycles	4916
⑫	Electrolytic Condenser (10 mfd.) 25-40 cycles	5142
⑬	Choke	4819
⑭	By-pass Condenser (.06 mfd.) 50-60 cycles	4989-J
⑮	By-pass Condenser (.18 mfd.) 25-40 cycles	4989-K
⑯	Electrolytic Condenser (6 mfd.) 50-60 cycles	4916
⑰	Electrolytic Condenser (14 mfd.) 25-40 cycles	5725
⑱	B. C. Resistor	03457
⑲	Resistor (240,000 ohms) 50-60 cycles	3768
㉑	Resistor (490,000 ohms) 25-40 cycles	3769
㉒	Line Cord and Plug	L-943
㉓	Tube Shield (Large)	03982
㉔	Tube Shield (27 Type)	5387
㉕	Bezel (Broadcast)	5009
㉖	Bezel (Short Wave)	5178
㉗	Knob (Large)	03063
㉘	Knob (Small)	03064
㉙	Knob (On-Off Switch—Broadcast)	03437
㉚	Knob (Control Switch—Short Wave)	5811
㉛	Spring (For Small Knobs)	4147
㉜	Spring (For Large Knobs)	5262
㉝	Grid Clip	4897
㉞	Five Prong Socket Assembly	4956
㉟	Four Prong Socket Assembly	4955
①	Dial Complete (Broadcast)	33031
②	Dial Complete (Short Wave)	03890